

PALM BEACH

PACKAGE



FEATURES

- Cast aluminum with steel reinforcement
- Powder-coat baked finish
- Hydraulic base & back
- Synchronized back & seat movement
- Adjustable backrest speed
- Adjustable base down speed
- 2 Programmable pre-positions
- Trendelenburg position
- Automatic return
- Foot control
- Side chair touch pads
- Swivel armrests
- 60° horizontal swivel base
- Double articulating headrest
- Trip pan safety shut-off

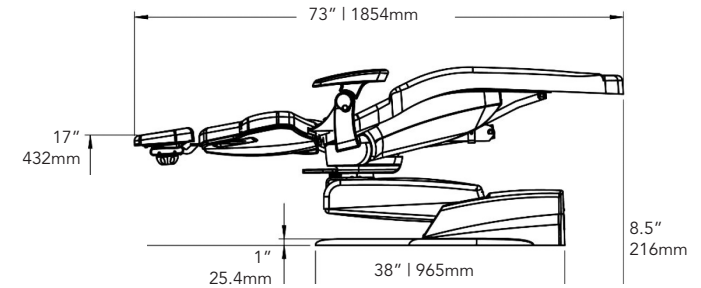


INSIDE SUMMIT DENTAL SYSTEMS

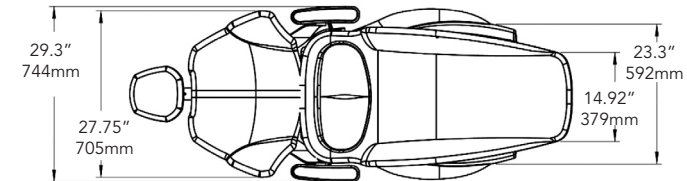
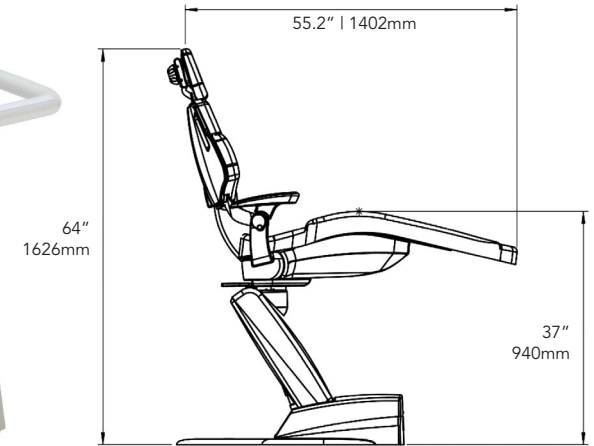
Since its founding in 1986, Summit Dental Systems (SDS) has been an internationally recognized manufacturer of high quality, durable dental equipment. Made in Fort Lauderdale, Florida, the SDS line of chairs provides the user with proven functionality, dependable mechanics, and undeniable value.

The Palm Beach Chair is constructed with cast aluminum and steel reinforcement. With a quiet and smooth hydraulic operation, the chair is comfortable, easy-to-use and virtually maintenance free. Providing innovative solutions to any dental practice is our goal. We aim to sustain consistent quality in our dental equipment, and we stand by our mission by providing an industry leading five (5) year warranty

The satisfaction of our customers is paramount, which is why our dedicated customer service team and highly skilled technical service department provide our customers with the support they need from their dental equipment manufacturer.



Max Load Capacity
600lbs | 272kg



PALM BEACH LEFT/RIGHT SWING PACKAGE



At the pinnacle of luxury, the Palm Beach chair is designed for ultimate patient comfort and optimal operator access. Offering quality, performance, and style the chair's contoured shape gives your practice the first-class look you've always wanted and your patients the comfort level they deserve. Meticulously detailed and manufactured with only the finest of materials, you'll see why the Palm Beach chair is unmatched in both quality and comfort.

- A** Palm Beach Chair w/
Swing Bracket

- B** Viulux LED Swing
Mounted Light

- C** 1455 4HP Automatic
Swing Mounted
Delivery Unit

- D** 1617 Rear Swing
Mounted Assistant's
Arm w/ SE, HVE
and 3-way Syringe

- E** WS-12 Water
Bottle System

- F** Deluxe Doctor's Stool
(shown in post
mounted package)

- G** Deluxe Assistant's Stool
(shown in post
mounted package)

* Shown with optional Ultraleather Upholstery and Unit Mounted Chair Control Pad

PALM BEACH POST MOUNTED PACKAGE

Pictured here is the Palm Beach Post Mounted Package showcasing the traditional method of mounting the operatory equipment.

* Shown with optional telescoping assistant's arm and unit mounted chair control pad



- A Palm Beach Chair
- B Viulux LED Light
- C 1455 4HP Automatic Delivery Unit
- D 1655 Cuspidor
- E Air & Water Quick Disconnect
- F Deluxe Doctor's Stool
- G Deluxe Assistant's Stool
- H WS-12 Water Bottle System



Optional Narrow Back Palm Beach Chair

A narrow back Palm Beach chair is available, reducing the width of the backrest from 27.75" (704.85mm) to 20.5" (520.70mm), with optional arm-sling attachments for increased patient comfort. This back option allows the doctor closer access to the oral cavity.

OPTIONAL FEATURES

It's Your Choice – Additional instrumentation options include: post mounted assistant's arm, unit mounted chair control pad, and left/right swing cuspidor.

Deluxe Doctor's Stool



Deluxe Assistant's Stool



1616D Assistant's Arm w/ SE, HVE, and Syringe

Unit Mounted Chair Control Pad



1660 Swing Mounted Cuspidor w/ SE, HVE and Syringe

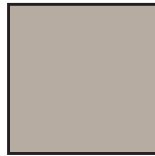


PALM BEACH



Color Chart

The colors and products in this brochure may vary from the actual materials. Please see your authorized SDS Dealer for accurate color samples and the most current product information.



Taupe



Bone



Cobalt



Wedgewood



Dusty Jade



Feather



Black



Desert Rose



800.275.3368 | Tel: 954.730.3636 | Fax: 954.730.3602

6277 NW 28th Way | Fort Lauderdale, FL 33309

www.summitdental.com